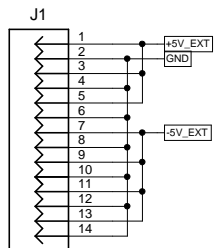
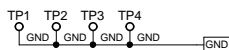
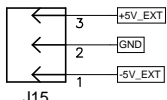


# POWER INTERFACE

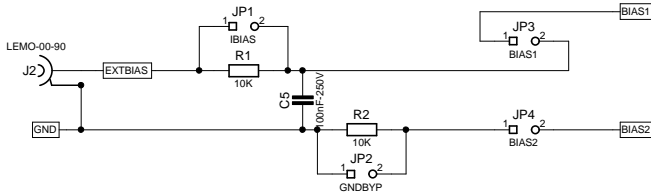
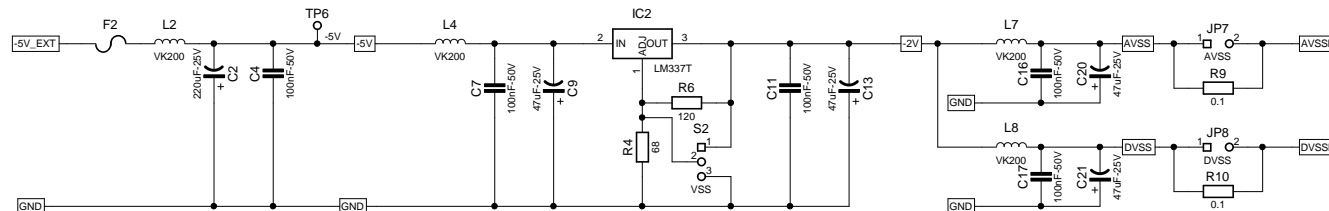
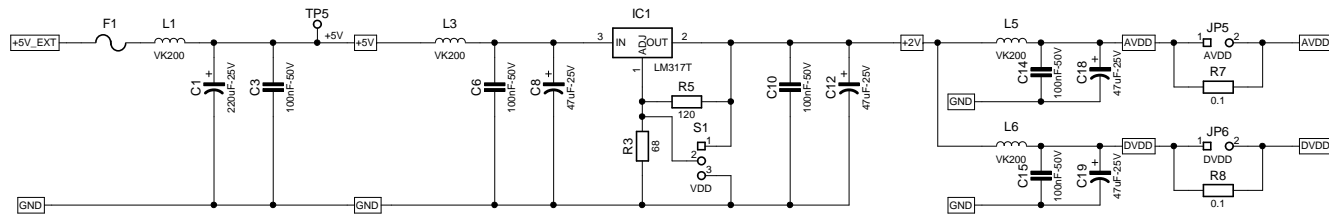


IDC14RM-LOCK

CONN3PIN\_PWR\_M

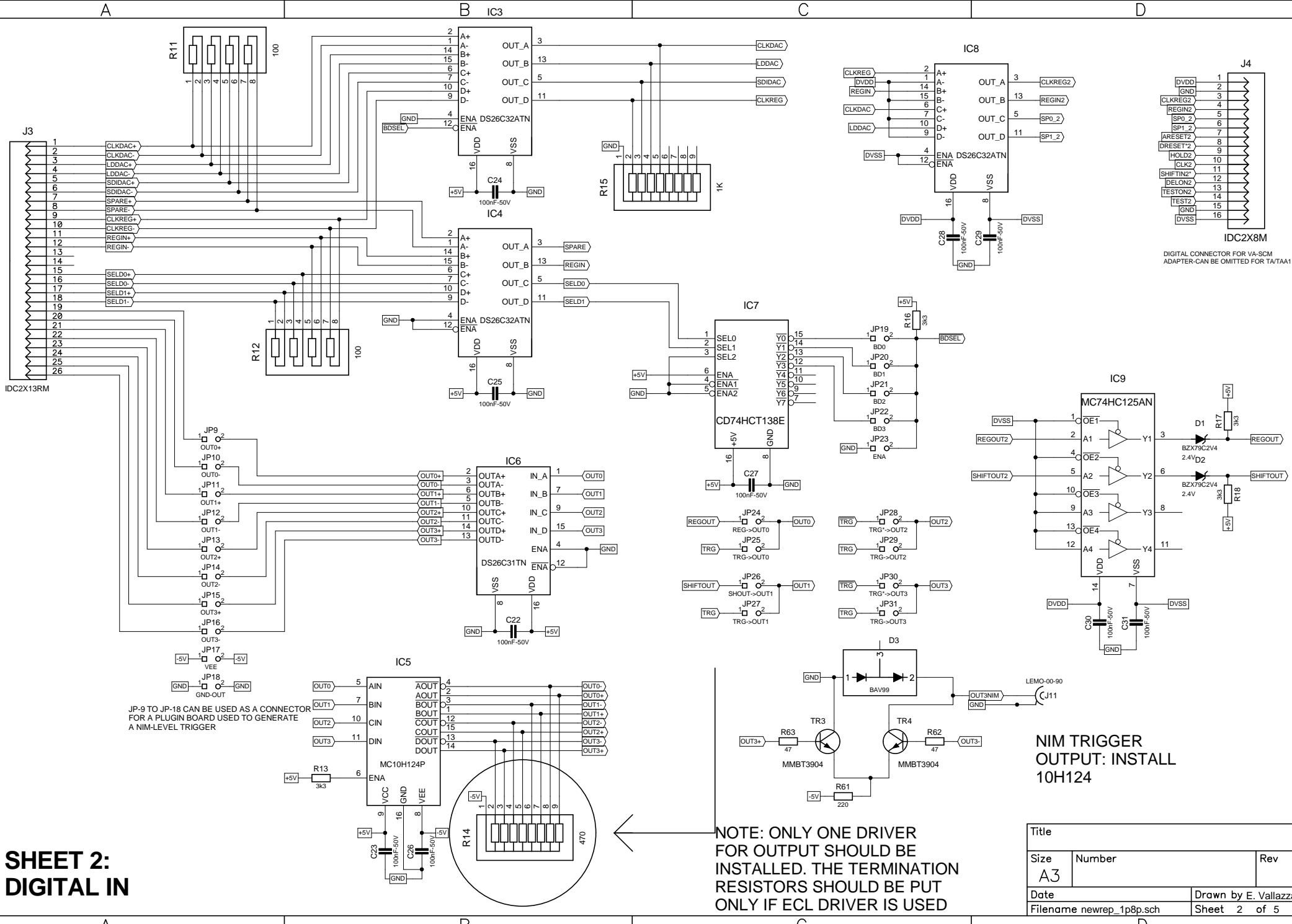


J15



Title Repeater 1.6		
Size A3	Number	Rev
Date	Drawn by E. Vallazza	
Filename newrep_1p8p.sch	Sheet 1	of 5

**SHEET 1:  
POWER+BIAS**



DIGITAL CONNECTOR FOR V/A-SCM ADAPTER-CAN BE OMITTED FOR TA/TA1

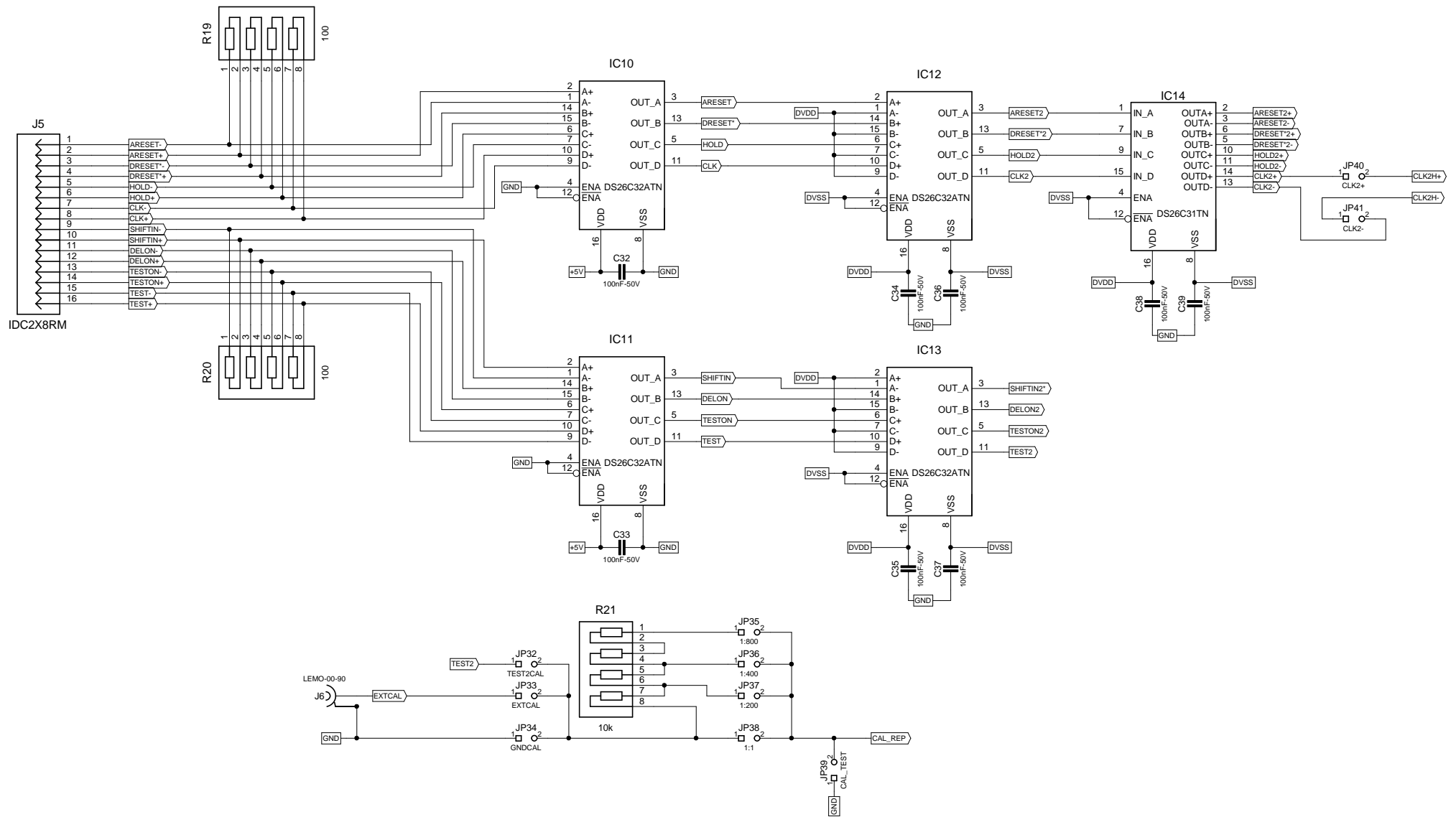
JP-9 TO JP-18 CAN BE USED AS A CONNECTOR FOR A PLUGIN BOARD USED TO GENERATE A NIM-LEVEL TRIGGER

NOTE: ONLY ONE DRIVER FOR OUTPUT SHOULD BE INSTALLED. THE TERMINATION RESISTORS SHOULD BE PUT ONLY IF ECL DRIVER IS USED

NIM TRIGGER OUTPUT: INSTALL 10H124

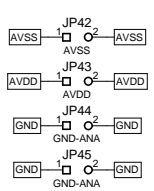
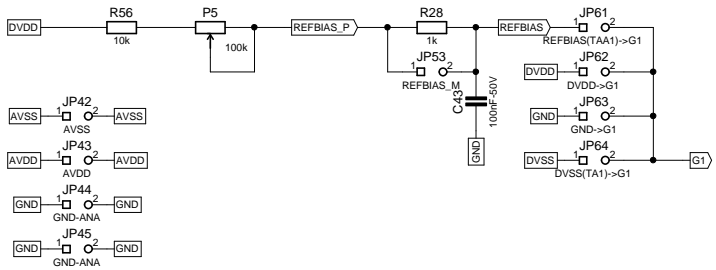
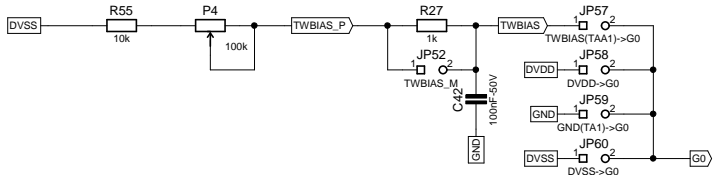
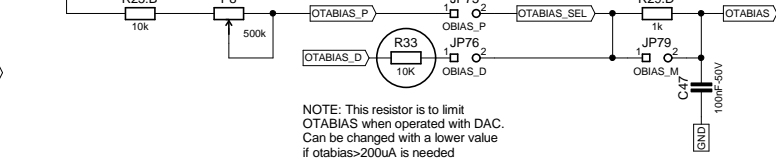
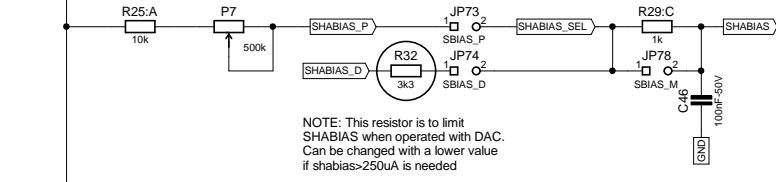
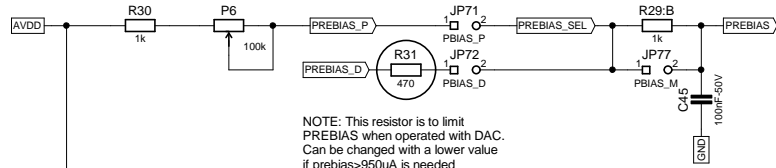
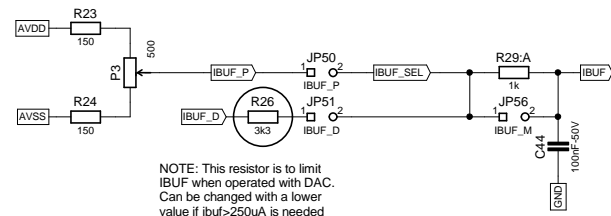
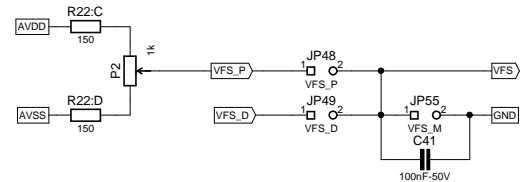
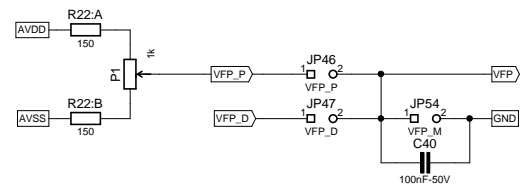
**SHEET 2: DIGITAL IN**

Title		
Size	Number	Rev
A3		
Date	Drawn by E. Vallazza	
Filename newrep_1p8p.sch	Sheet 2 of 5	

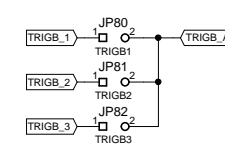
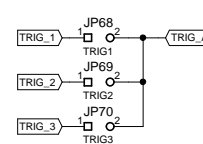
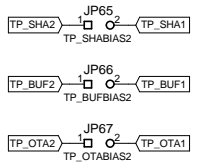
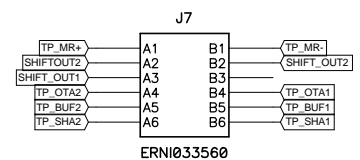


**SHEET 3:  
DIGITAL IN-2**

Title Repeater 1.6		
Size A3	Number	Rev
Date	Drawn by E. Vallazza	
Filename newrep_1p8p.sch	Sheet 3	of 5

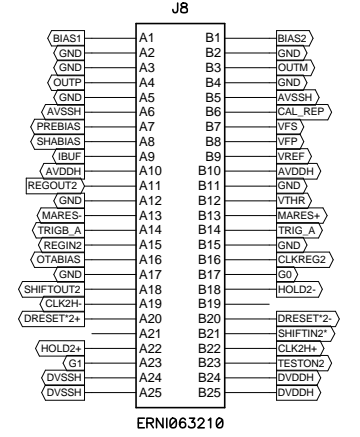


HYBRID V3 Connector-Test

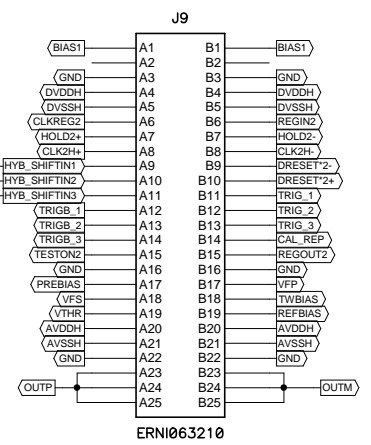


**SHEET 4:  
BIAS**

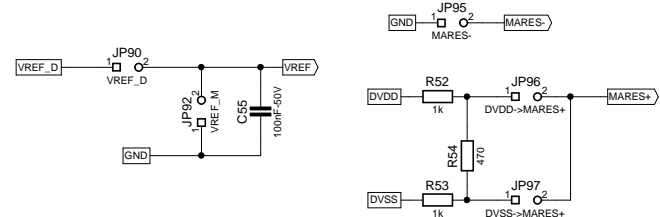
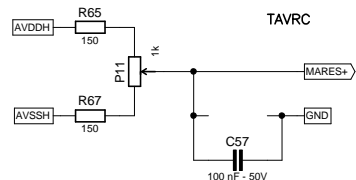
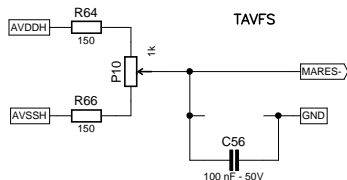
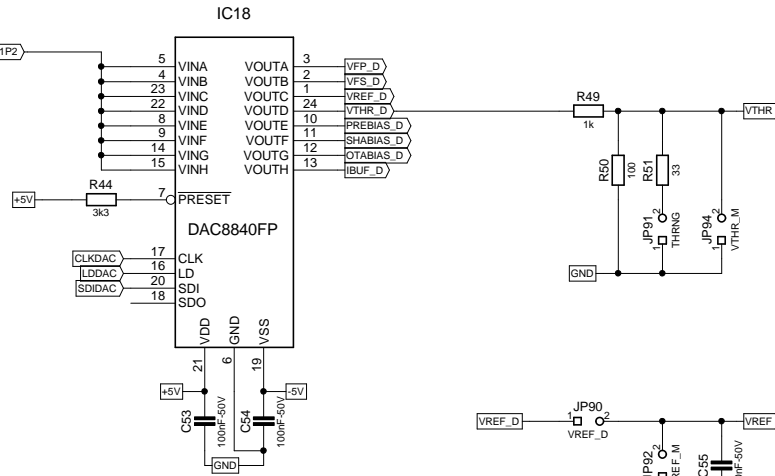
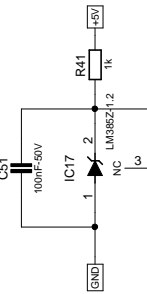
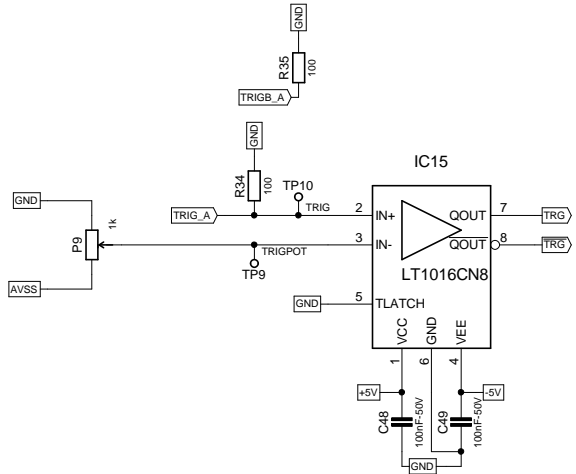
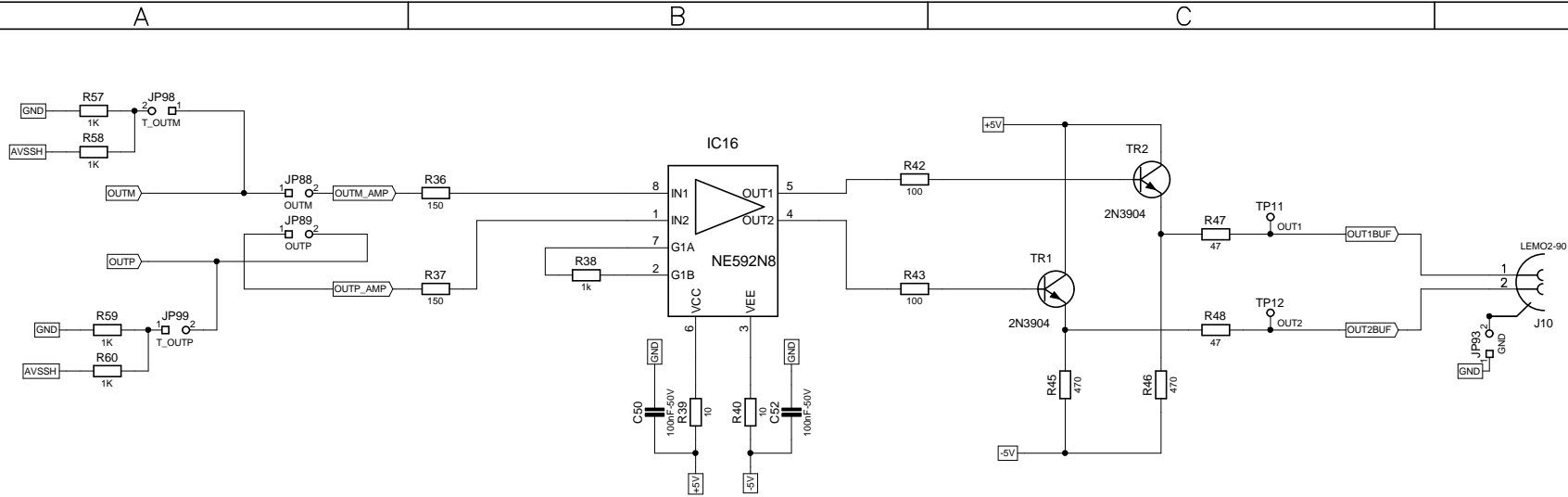
HYBRID V1 Connector



HYBRID V3 Connector-Main



Title Repeater 1.6		
Size A3	Number	Rev
Date	Drawn by E. Vallazza	
Filename newrep_1p8p.sch	Sheet 4 of 5	



**SHEET 5:  
DAC+TRIG**

Title			Repeater 1.6		
Size	Number		Rev		
A3					
Date	Drawn by E. Vallazza				
Filename newrep_1p8p.sch	Sheet		5 of 5		