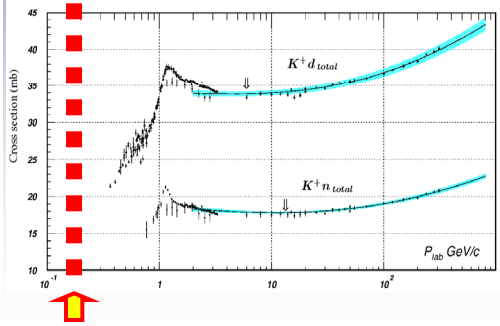
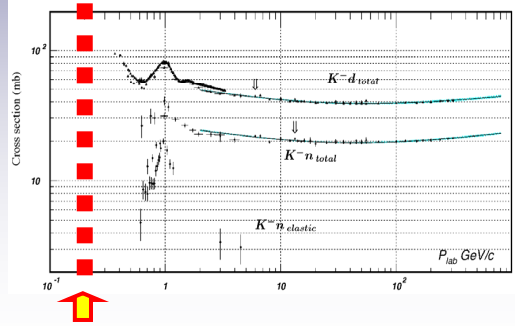
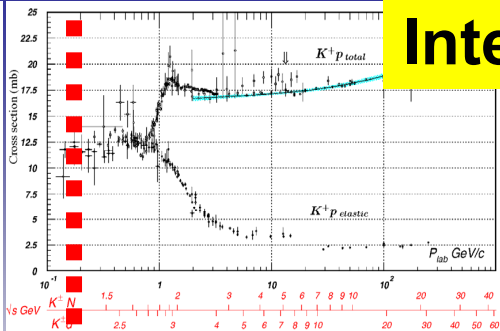
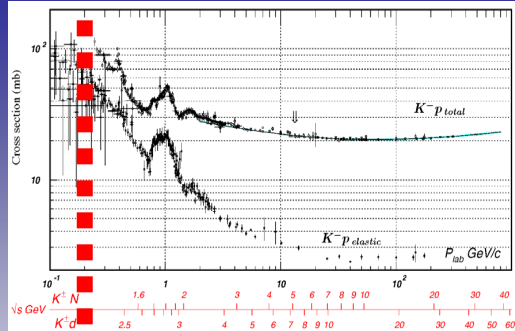
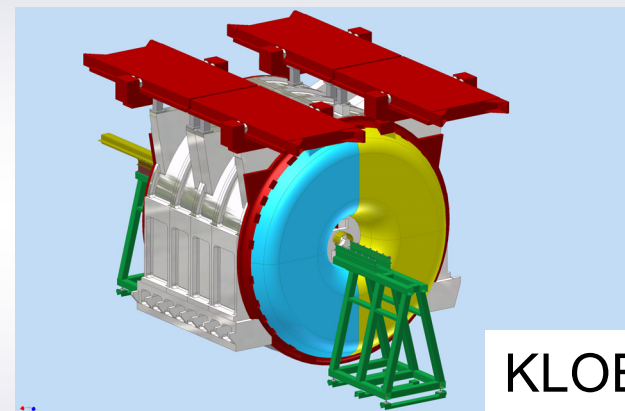
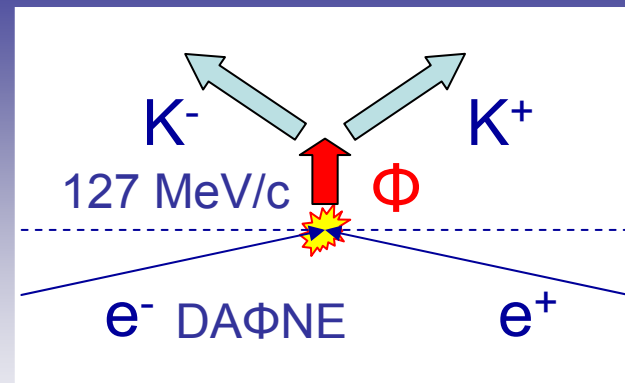


Interacting Kaons On Nucleons



DAΦNE

DAΦNE



KLOE

IKON: a new Gr III proposal – Trieste

Reactions to be studied with slow K^\pm on H and D targets:

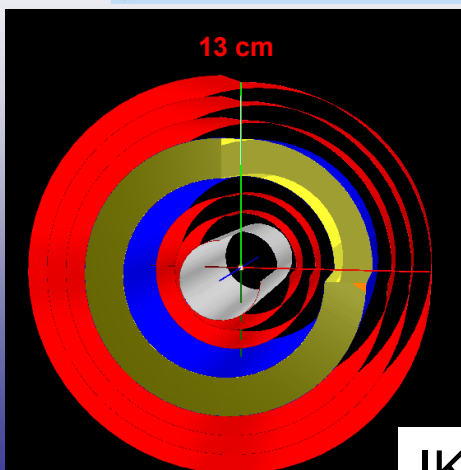
$K^+N \rightarrow K^+N$, $K^-p \rightarrow K^-p$, $\Lambda\pi^0, \Sigma^+\pi^-, \Sigma^-\pi^+, \Sigma^0\pi^0, K^0n$, etc.

$K^+d \rightarrow K^+d$, $K^+d \rightarrow np_s$, $K^-d \rightarrow K^-np_s$, etc.

Interest: measurement of KN Σ term w/ 10% precision
study of baryon resonances: $\Lambda(1405)$ - $\Sigma(1385)$

Timetable:

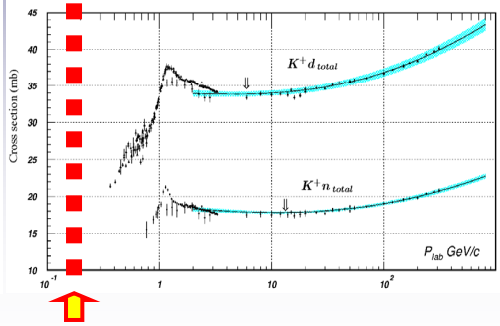
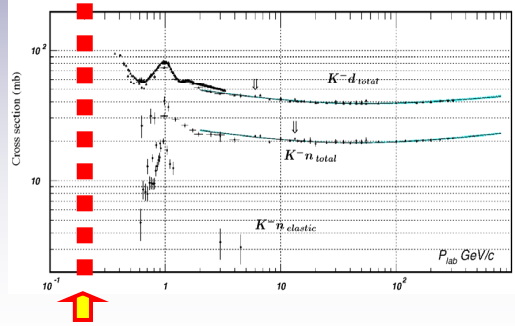
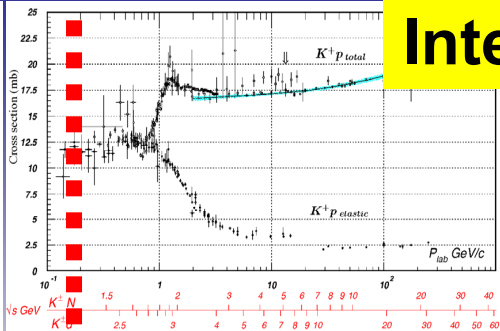
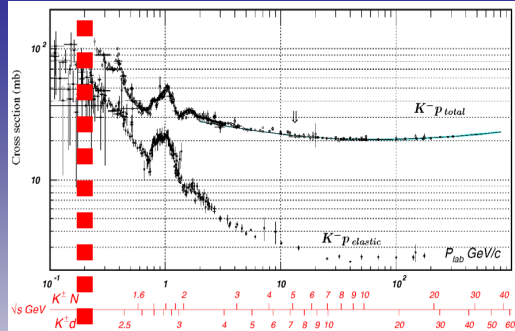
1. Sept. 2009: submission of Lol and Physics to CSN3
2. Feb. 2010: presentation @ CSN3
3. June 2010: presentation @ Scientific Committee of LNF



5 x Si Layers
200 μm thick
Target H_2 , D_2
Beam Pipe

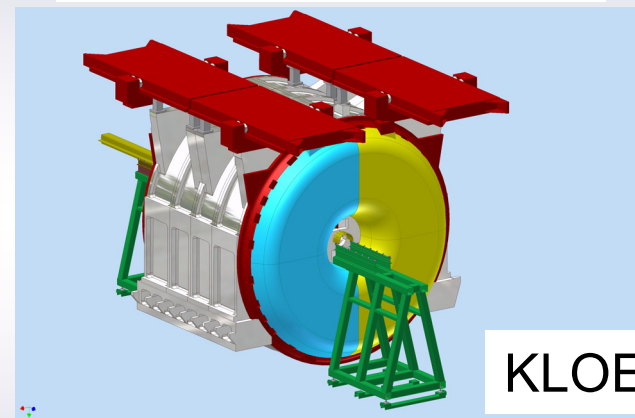
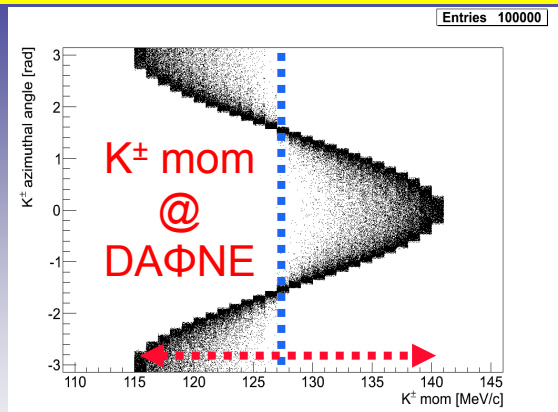
IKON VDET

Interacting Kaons On Nucleons



DAΦNE

DAΦNE



KLOE

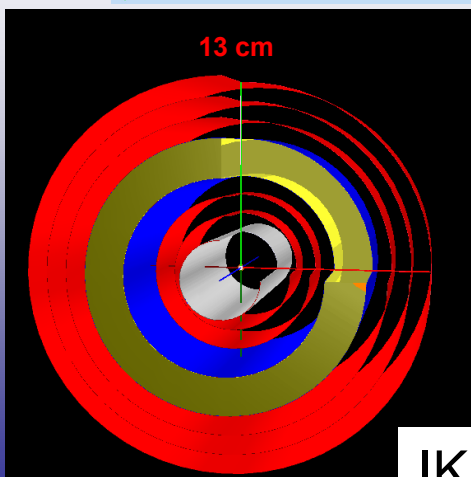
IKON: a new Gr III proposal – Trieste

Reactions to be studied with slow K^\pm on H and D targets:
 $K^+N \rightarrow K^+N$, $K^-p \rightarrow K^-p$, $\Lambda\pi^0, \Sigma^+\pi^-, \Sigma^-\pi^+, \Sigma^0\pi^0, K^0n$, etc.
 $K^+d \rightarrow K^+d$, $K^+d \rightarrow np_s$, $K^-d \rightarrow K^-np_s$, etc.

Interest: measurement of KN Σ term w/ 10% precision
 study of baryon resonances: $\Lambda(1405) - \Sigma(1385)$

Timetable:

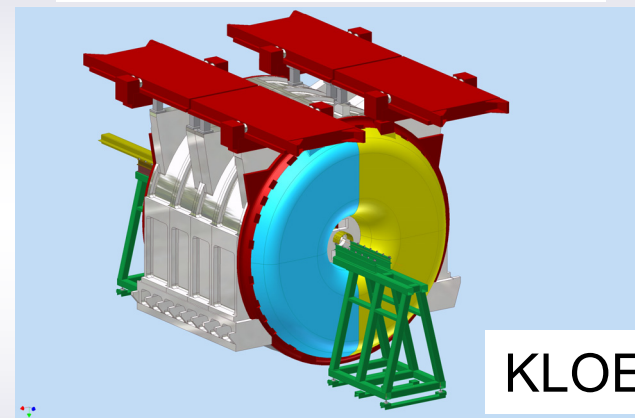
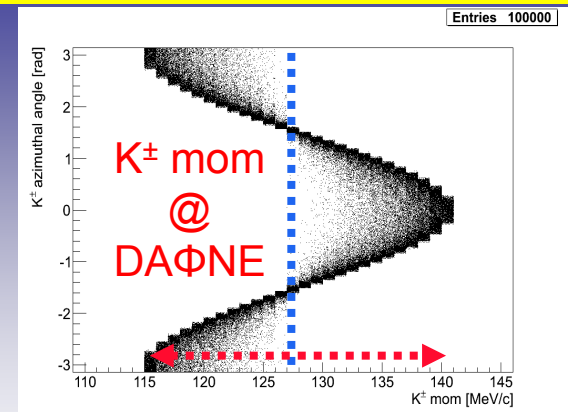
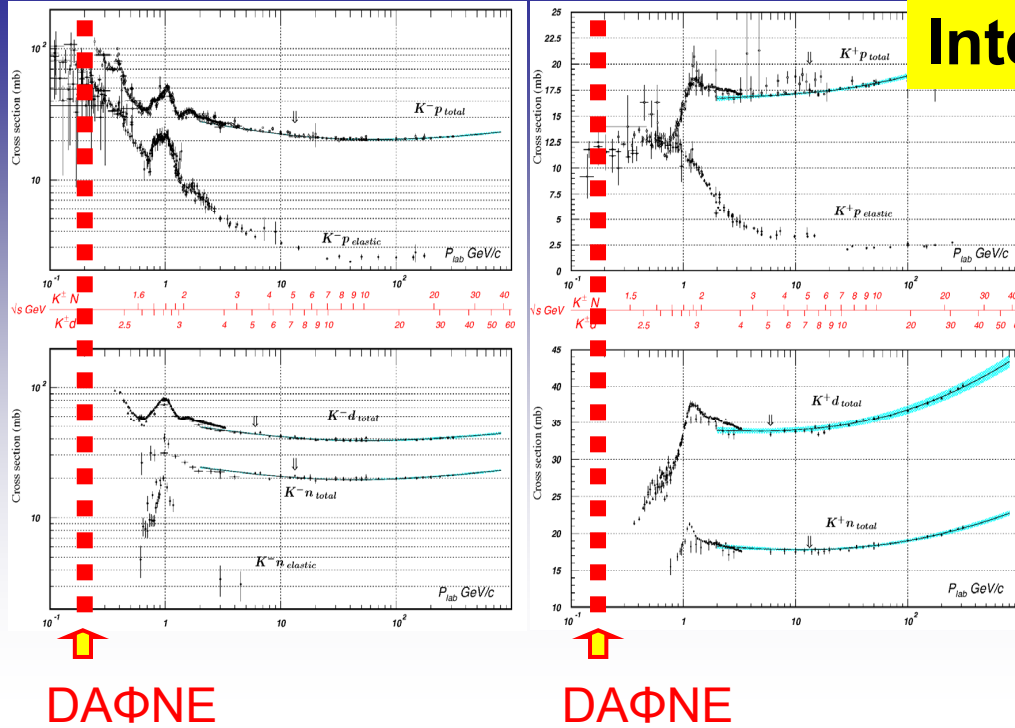
1. Sept. 2009: submission of Lol and Physics to CSN3
2. Feb. 2010: presentation @ CSN3
3. June 2010: presentation @ Scientific Committee of LNF



5 x Si Layers
 200 μm thick
 Target H_2, D_2
 Beam Pipe

IKON VDET

Interacting Kaons On Nucleons



KLOE

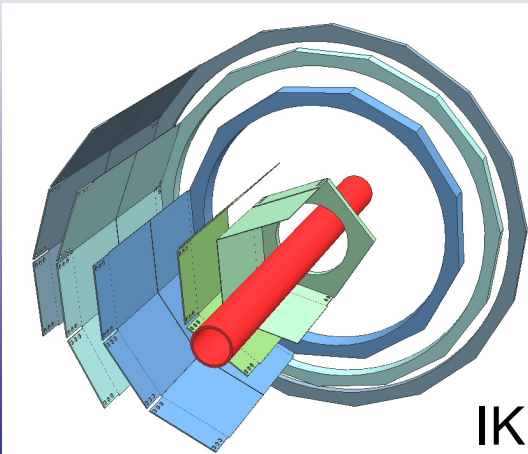
IKON: a new Gr III proposal – Trieste

Reactions to be studied with slow K^\pm on H and D targets:
 $K^+N \rightarrow K^+N$, $K^-p \rightarrow K^-p$, $\Lambda\pi^0, \Sigma^+\pi^-, \Sigma^-\pi^+, \Sigma^0\pi^0, K^0n$, etc.
 $K^+d \rightarrow K^+d$, $K^+d \rightarrow np_s$, $K^-d \rightarrow K^-np_s$, etc.

Interest: measurement of KN Σ term w/ 10% precision
 study of baryon resonances: $\Lambda(1405) - \Sigma(1385)$

Timetable:

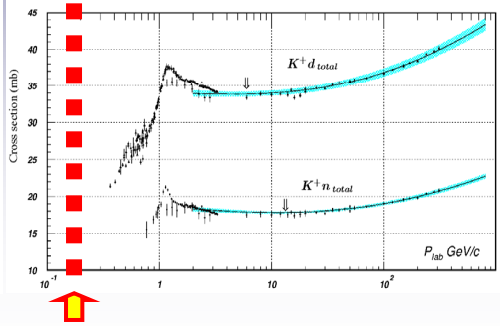
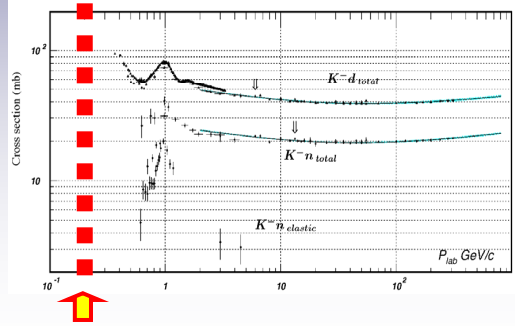
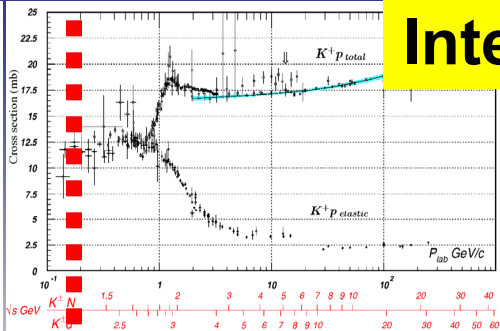
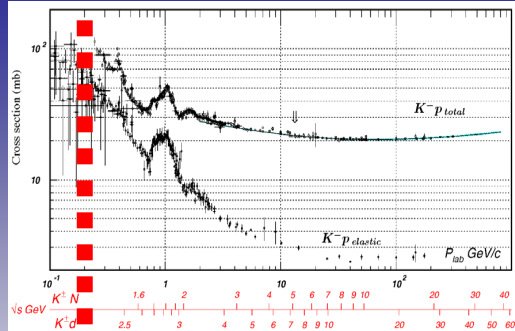
1. Sept. 2009: submission of Lol and Physics to CSN3
2. Feb. 2010: presentation @ CSN3
3. June 2010: presentation @ Scientific Committee of LNF



5 x Si Layers
 200 μm thick
 Target H_2, D_2
 Beam Pipe

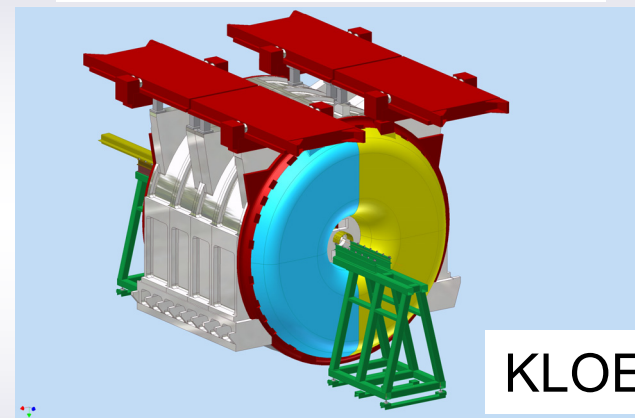
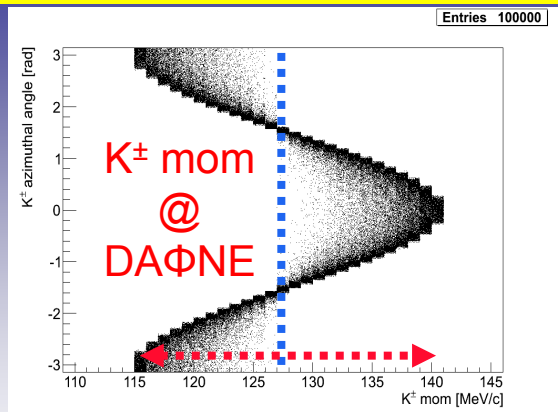
IKON VDET

Interacting Kaons On Nucleons



DAΦNE

DAΦNE



KLOE

Timetable:

1. Sept. 2009: submission of Lol and Physics to CSN3
2. Feb. 2010: presentation @ CSN3
3. June 2010: presentation @ LNF Scientific Committee

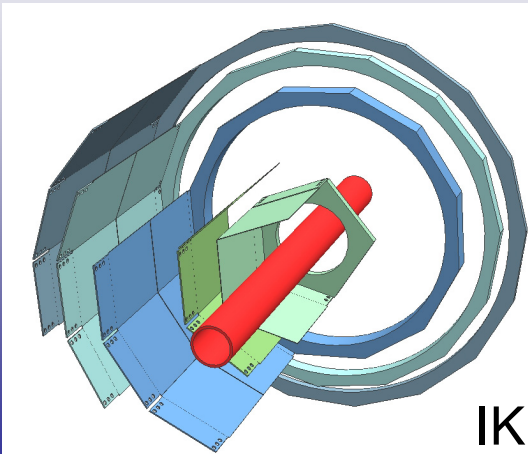
LNF Scientific Committee Recommendations:

1. Physics of great interest
2. Impact of new measurements on theory should be eval.
3. Agreement with Kloe and Amadeus

CSN3 Recommendations:

1. LNF: near future [5y] is uncertain (SuperB or DAΦNE energy upgrade)
2. Funding of any new ex. @ LNF not granted without precise LNF planning

→ IKON start-up delayed [1y ?]



5 x Si Layers
200 μm thick
Target H₂, D₂
Beam Pipe

IKON VDET